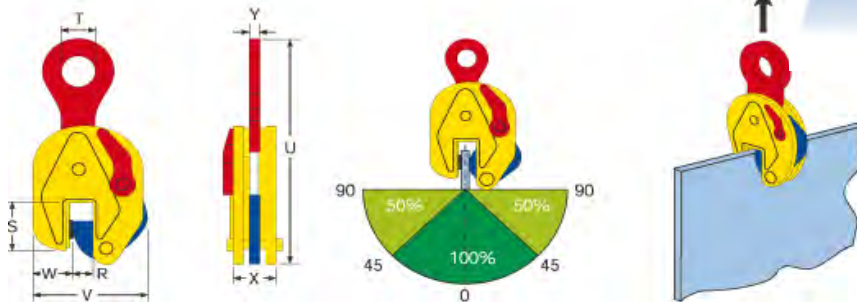
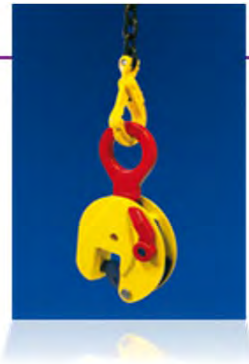


Vertical Clamps - TS

Pricelist : 15-1-2014

- For vertical lifting and transporting of steel plates and structures.
- The TS/STS lifting clamps are equipped with a safety mechanism, ensuring the clamp does not slip when lifting force is applied and when load is being lowered.
- The clamp is locked in closed as well as in open position.
- Lifting capacity and jaw opening are clearly engraved in the body.
- Type STS are supplied with enlarged jaw opening.

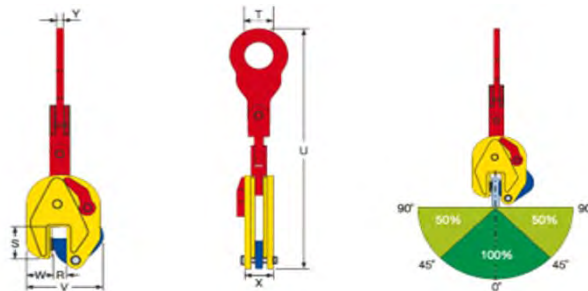


Article no.	Model	Capacity	Jaw-opening	Weight per clamp (kg)	Gross price per piece
850000	0.75 TS	750 kg	0 - 13 mm	1,7	
850800	1 TS	1000 kg	0 - 18 mm	3,4	
850880	1 TSE	1000 kg	0 - 25 mm	3,5	
850100	1.5 TS	1500 kg	0 - 20 mm	6,5	
850901	2 TSE	2000 kg	0 - 35 mm	7	
850331	3 TSE	3000 kg	0 - 35 mm	7	
850441	4.5 TS	4500 kg	0 - 25 mm	15	
850451	4.5 TSE	4500 kg	0 - 45 mm	16	
850301	6 TS	6000 kg	0 - 32 mm	19	
851411	6 TSE	6000 kg	0 - 50 mm	21	
850401	7.5 TS	7500 kg	0 - 40 mm	24	
851501	7.5 TSE	7500 kg	0 - 55 mm	26	
851551	9 TS	9000 kg	0 - 55 mm	27	
850501	12 TS	12000 kg	0 - 52 mm	37	
915000	15 TS	15000 kg	0 - 76 mm	71,5	
917000	17 TS	17000 kg	0 - 76 mm	71,5	
920000	20 TS	20000 kg	0 - 80 mm	149	
925000	25 TS	25000 kg	5 - 85 mm	149	
930000	30 TS	30000 kg	10 - 90 mm	155,5	
Article no.	Model	Capacity	Jaw-opening	Weight per clamp (kg)	Gross price per piece
852200	6 STS	6000 kg	40 - 90 mm	21	
854300	7.5 STS	7500 kg	50 - 100 mm	26,5	
853305	9 STS	9000 kg	50 - 100 mm	27,5	
852401	12 STS	12000 kg	50 - 100 mm	41	
921500	15 STS	15000 kg	80 - 150 mm	76	
922000	20 STS	20000 kg	80 - 150 mm	160	
922500	25 STS	25000 kg	80 - 150 mm	160	
923000	30 STS	30000 kg	80 - 150 mm	165,5	

Vertical Clamps - TSMP

Pricelist : 15-1-2014

- The Terrier lifting clamps TS and STS are also available in MP-version.
- MP-version means that the lifting shackle has a three way articulated linkage arrangement.
- For lifting and transporting of all steel plates and structures.
- When attached to a fixed load bearing arm (e.g. spreader bar) the clamp will retain its flexibility and no chain is needed.
- Due to length of the three way linkage arrangement the clamp can be lowered further between standing plates or structures.
- Lifting capacity and jaw opening are clearly engraved in the body.

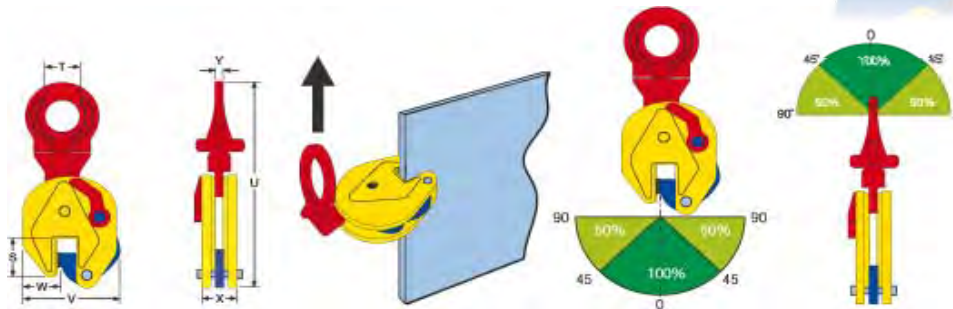


Article no.	Model	Capacity	Jaw-opening	Weight per clamp (kg)	Gross price per piece
850010	0.75 TSMP	750 kg	0 - 13 mm	2	
850810	1 TSMP	1000 kg	0 - 18 mm	4,2	
850818	1 TSEMP	1000 kg	0 - 25 mm	4,5	
850110	1.5 TSMP	1500 kg	0 - 20 mm	7,9	
850911	2 TSEMP	2000 kg	0 - 35 mm	8	
850221	3 TSEMP	3000 kg	0 - 35 mm	8	
850211	4.5 TSMP	4500 kg	0 - 25 mm	17,8	
851401	4.5 TSEMP	4500 kg	0 - 45 mm	19	
850311	6 TSMP	6000 kg	0 - 32 mm	24	
851511	6 TSEMP	6000 kg	0 - 50 mm	25,5	
850411	7.5 TSMP	7500 kg	0 - 40 mm	29	
851510	7.5 TSEMP	7500 kg	0 - 55 mm	30,5	
851515	9 TSMP	9000 kg	0 - 55 mm	31	
Article no.	Model	Capacity	Jaw-opening	Weight per clamp (kg)	
852210	6 STSMP	6000 kg	40 - 90 mm	26	
854310	7.5 STSMP	7500 kg	50 - 100 mm	31,5	
853315	9 STSMP	9000 kg	50 - 100 mm	32,5	

Vertical Clamps - TSU

Pricelist : 15-1-2014

- For lifting and transporting of steel plates and structures from all positions (horizontal, vertical and sidelong).
- Articulated lifting shackle.
- The TSU /STSU lifting clamps are equipped with a safety mechanism, ensuring the clamp does not slip when lifting force is applied and when load is being lowered.
- The clamp is locked in closed as well as in open position.
- Lifting capacity and jaw opening are clearly engraved in the body.
- Type STSU is supplied with enlarged jaw opening.

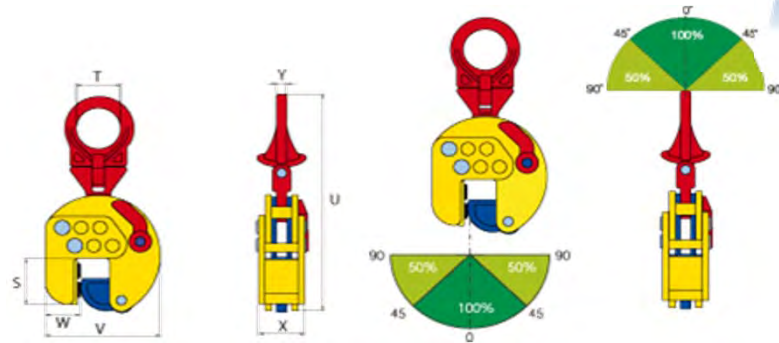


Article no.	Model	Capacity	Jaw-opening	Weight per clamp (kg)	Gross price
855000	0.75 TSU	750 kg	0 - 13 mm	1,8	
865100	1 TSU	1000 kg	0 - 18 mm	3,7	
865800	1 TSEU	1000 kg	0 - 25 mm	3,8	
855100	1.5 TSU	1500 kg	0 - 20 mm	7,2	
855601	2 TSEU	2000 kg	0 - 35 mm	8	
865331	3 TSEU	3000 kg	0 - 35 mm	8	
865441	4.5 TSU	4500 kg	0 - 25 mm	16	
865301	4.5 TSEU	4500 kg	0 - 45 mm	16,5	
865401	6 TSU	6000 kg	0 - 32 mm	22	
865411	6 TSEU	6000 kg	0 - 50 mm	24	
865601	7.5 TSU	7500 kg	0 - 40 mm	27	
855400	7.5 TSEU	7500 kg	0 - 55 mm	28	
855405	9 TSU	9000 kg	0 - 55 mm	29	
865901	12 TSU	12000 kg	0 - 52 mm	41	
955150	15 TSU	15000 kg	0 - 76 mm	73	
955170	17 TSU	17000 kg	0 - 76 mm	74	
955200	20 TSU	20000 kg	0 - 80 mm	160	
955250	25 TSU	25000 kg	5 - 85 mm	160	
955300	30 TSU	30000 kg	10 - 90 mm	167	
Article no.	Model	Capacity	Jaw-opening	Weight per clamp (kg)	
856200	6 STSU	6000 kg	40 - 90 mm	24	
856300	7.5 STSU	7500 kg	50 - 100 mm	30	
855305	9 STSU	9000 kg	50 - 100 mm	31	
856401	12 STSU	12000 kg	50 - 100 mm	45	
966150	15 STSU	15000 kg	80 - 150 mm	78	
966200	20 STSU	20000 kg	80 - 150 mm	171	
966250	25 STSU	25000 kg	80 - 150 mm	171	
966300	30 STSU	30000 kg	80 - 150 mm	176,5	

Vertical Clamps - TSEU-A

Pricelist : 15-1-2014

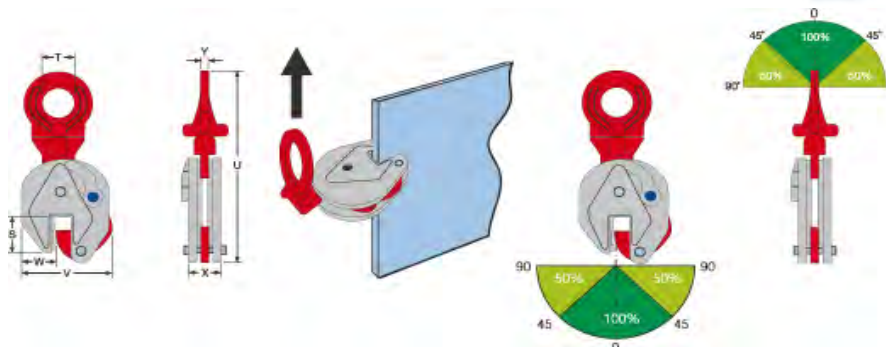
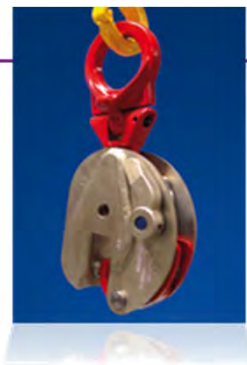
- Only 1 clamp needed for different kind of jobs.
- Also the same clamp can be used if a big jaw opening is necessary.
- For lifting and transporting of steel plates and structures from all positions.
- Jaw opening from 0 - 95 mm. Adjustable by steps of 30 mm.
- Capacity 3000 kg
- Strong and lightweight construction.



Article no.	Model	Capacity	Jaw-opening	Weight per clamp (kg)	Gross price per piece
863300	3 TSEU-A	3000 kg	0 - 95 mm	10	

Vertical Clamps - TSU-R

- For lifting and transporting of stainless steel plates and structures a TSU-R lifting clamp is available.
- Pivot and cam are made of stainless steel.
- Body and lock lever are nickel plated to prevent corrosion due to carbon contamination.

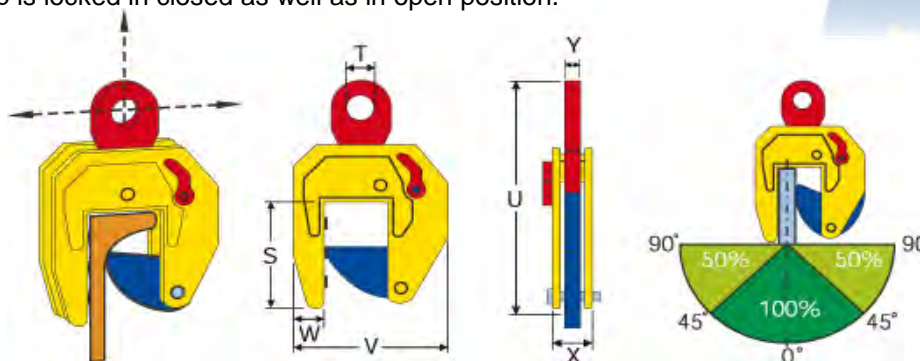


Article no.	Model	Capacity	Jaw-opening	Weight per clamp (kg)	Gross price per piece
862101	2 TSU-R	2000 kg	0 - 20 mm	7	

Vertical Clamps - TSHP

Pricelist : 15-1-2014

- For lifting and transporting of Holland-Profile (HP) and structures with HP-profile.
- Also useful as a "big jaw-opening" clamp.
- Standard with 3 pivots for extra powerful clamping force.
- The Terrier TSHP lifting clamps are equipped with a safety mechanism, ensuring the clamp does not slip when lifting force is applied and when load is being lowered.
- The clamp is locked in closed as well as in open position.



Article no.	Model	Capacity	Jaw-opening	Weight per clamp (kg)	Gross price per piece
860110	1 TSHP	1000 kg	0 - 80 mm	19	
860111	1.5 TSHP	1500 kg	0 - 80 mm	19	
860155	1.5 TSHPA	1500 kg	0 - 155 mm	18	

Vertical Clamps - TSHPU

TSHPU is a follow-up of the TSHP-1 and TSHP-1.5.

It is especially designed for lifting, handling and transporting of HP-profile and construction with HP-profile.

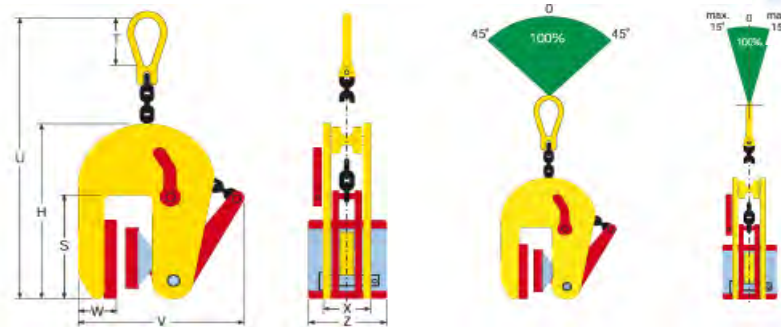
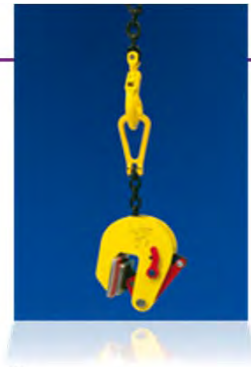


Article no.	Model	Capacity	Jaw-opening	Weight per clamp (kg)	Gross price per piece
860300	3 TSHPU	3000 kg	0 - 30 mm	8	
860500	5 TSHPU	5000 kg	0 - 45 mm	17,3	

Vertical Clamps - TNMK

Pricelist : 15-1-2014

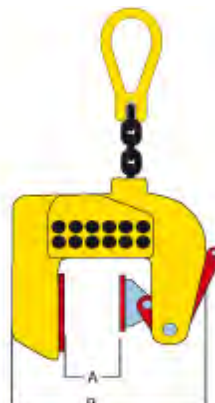
- TNMK is a NON-MARKING clamp with 2 special synthetic pads. The clamp can be used for lifting, handling and transporting (stainless) steel, aluminium, wood and marble plates.
- After lifting and handling, the clamps leave no markings.
- The clamp is locked in closed as well as in open position.



Article no.	Model	Capacity	Jaw-opening	Weight per clamp (kg)	Gross price
862035	0.5 TNMK	500 kg	1 - 20 mm	6	
862135	0.5 STNMK	500 kg	17 - 37 mm	6	
862010	1 TNMK	1000 kg	1 - 30 mm	6,5	
862037	1.5 TNMK	1500 kg	1 - 40 mm	6,5	
862038	2 TNMK	2000 kg	1 - 50 mm	15	
862039	3 TNMK	3000 kg	1 - 60 mm	15,5	

Vertical Clamps - TNMK-A

- Only 1 clamp needed for different kind of jobs.
- Also the same clamp can be used if a big jaw opening is necessary.
- Jaw opening : 1-180 mm Adjustable in steps of 20 mm.

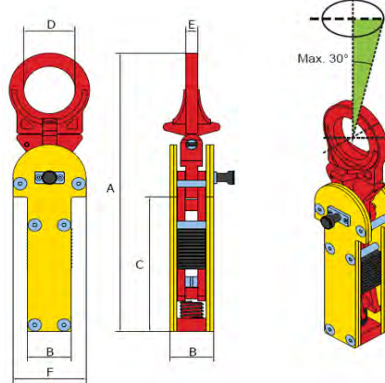
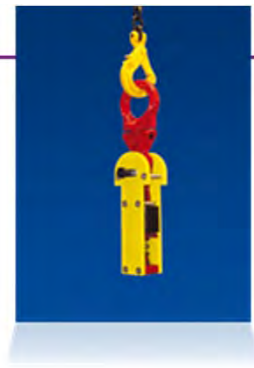


Article no.	Model	Capacity	Jaw-opening	Weight per clamp (kg)	Gross price
862005	0.5 TNMKA	500 kg	1 - 180 mm	10	

Vertical Clamps - TCK

Pricelist : 15-1-2014

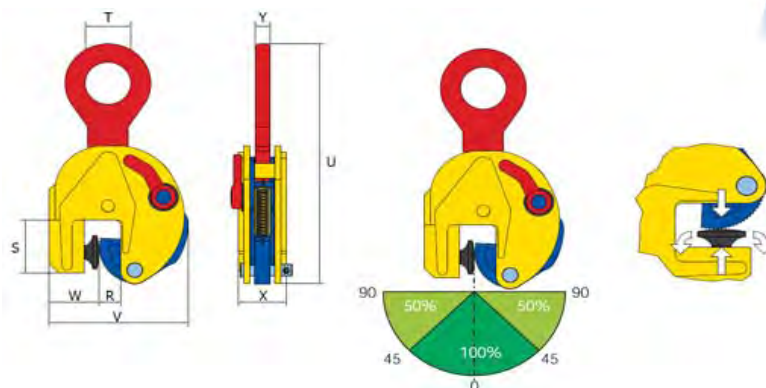
- For vertical lifting and transporting of structures where a square tube is used as a frame. For example mobile units etc.
- If the clamp is being loaded, the cams will pull out sideways and will grip into the sides of the square tube.
- Because of the compact design of the clamp, the clamp will not use more space than the dimensions of the square tube.
- Lifting capacity and jaw opening are clearly engraved in the body.
- The clamp is equipped with an universal lifting eye.



Article no.	Model	Capacity	Jaw-opening	Weight per clamp (kg)
810000	3 TCK	3000 kg	62 - 70 mm	6,9

Vertical Clamps - TJP

- For vertical lifting and transporting of (thin) sheet metal.
- The TJP clamp is equipped with a special pivot, the special pivot will adapt itself to the load of the clamp. This will generate more friction which eliminates the chance of slipping loads.
- The TJP is equipped with a safety mechanism, ensuring the clamp does not slip when being lowered.
- The clamp is locked in closed as well as in open position.

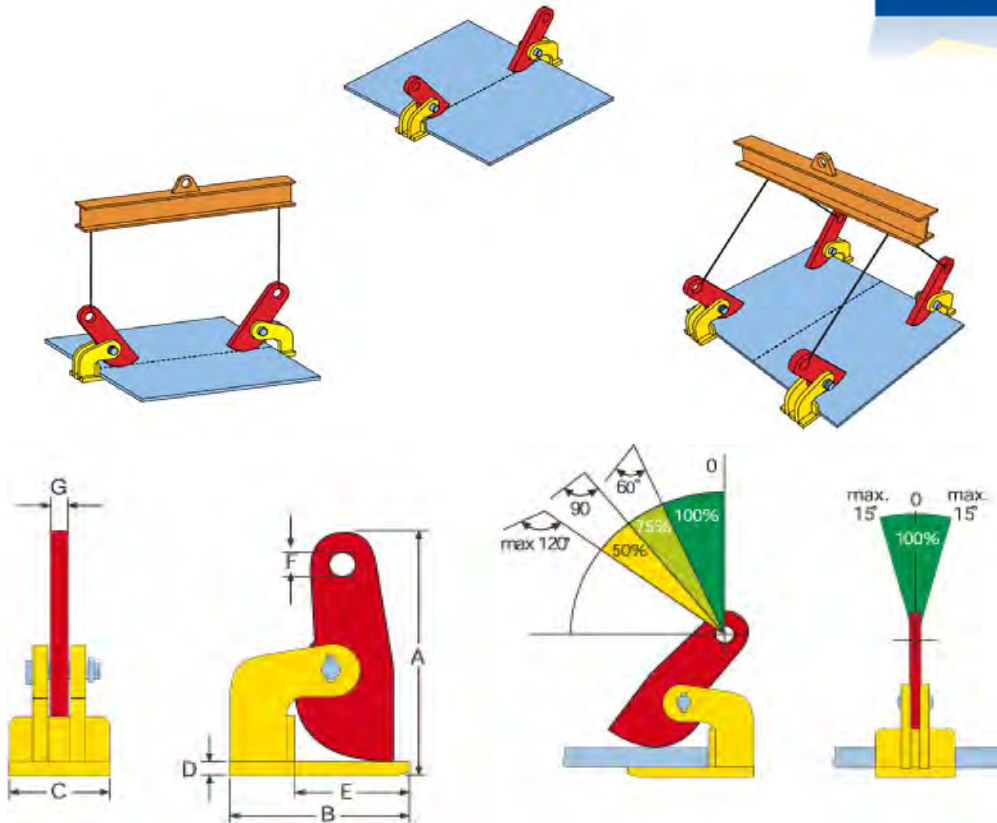


Article no.	Model	Capacity	Jaw-opening	Weight per clamp (kg)
870800	1 TJP	1000 kg	0 - 20 mm	3,8
870700	0,25 TJP	250 kg	0 - 13 mm	1,9
870710	0,25 TJPU	250 kg	0 - 13 mm	2

Horizontal Clamps - FHX

Pricelist : 15-1-2014

- For horizontal lifting and transporting of steel plates.
- The compact shape and relative light own weight with a high lifting capacity.
- The Terrier FHX/FHSX lifting clamps must always be used in pairs (or multiples thereof).
- Lifting capacity and jaw opening are clearly engraved in the body.
- The FHSX has an enlarged jaw opening.

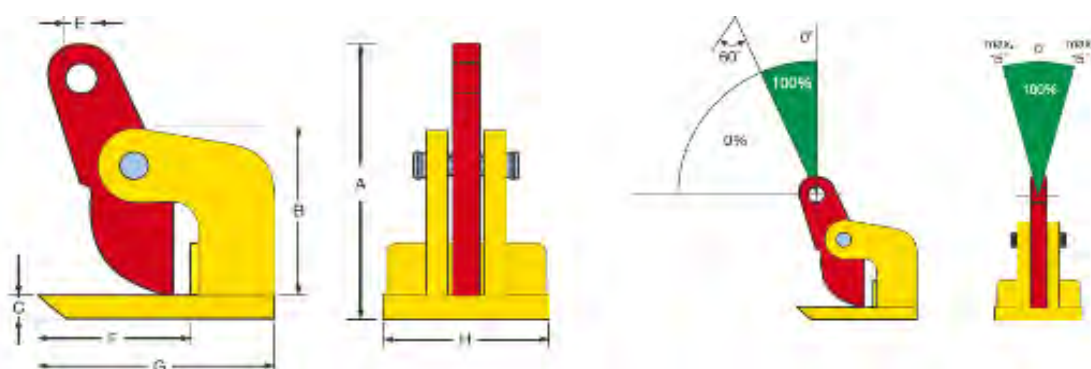


Article no.	Model	Capacity per pair	Jaw-opening	Weight per clamp (kg)	Gross price
953100	1 FHX	1000 kg	0 - 35 mm	2,6	
953200	2 FHX	2000 kg	0 - 60 mm	7	
953300	3 FHX	3000 kg	0 - 60 mm	8	
953400	4 FHX	4000 kg	0 - 60 mm	13	
953600	6 FHX	6000 kg	0 - 60 mm	14	
953800	8 FHX	8000 kg	0 - 60 mm	19	
953010	10 FHX	10000 kg	0 - 60 mm	19	
953012	12 FHX	12000 kg	0 - 60 mm	19	
Article no.	Model	Capacity per pair	Jaw-opening	Weight per clamp (kg)	Gross price
954200	2 FHSX	2000 kg	0 - 100 mm	9,2	
954300	3 FHSX	3000 kg	0 - 100 mm	10	
954400	4 FHSX	4000 kg	0 - 100 mm	15	
954600	6 FHSX	6000 kg	0 - 100 mm	16,5	
954800	8 FHSX	8000 kg	0 - 100 mm	21	
954010	10 FHSX	10000 kg	0 - 100 mm	22	
954012	12 FHSX	12000 kg	0 - 100 mm	22	
853820	15 FHSX	15000 kg	0 - 150 mm	53	

Horizontal Clamps - TDH

Pricelist : 15-1-2014

- For lifting and transporting of thin sheets that deflect when being lifted.
- Compact shape and relatively low own weights, with a high lifting capacity.
- The Terrier TDH horizontal lifting clamps must always be used in pairs (or multiples thereof).

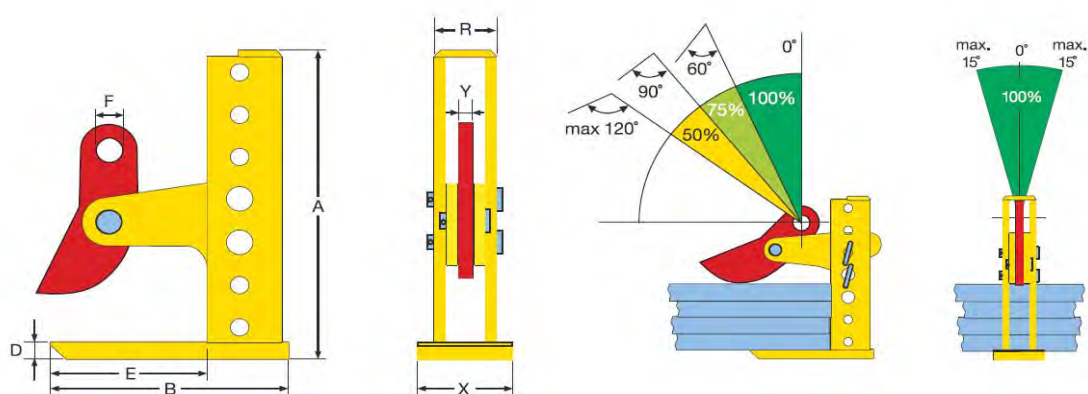


Article no.	Model	Capacity per pair	Jaw-opening	Weight per clamp (kg)	Gross price per pair
970100	1 TDH	1000 kg	0 - 15 mm	2,5	
970200	2 TDH	2000 kg	0 - 35 mm	8	
970400	4 TDH	4000 kg	0 - 50 mm	18	
970600	6 TDH	6000 kg	0 - 50 mm	18	

Horizontal Clamps - THSK

Pricelist : 15-1-2014

- For lifting, handling and transporting of packages and single steel plates
- The Terrier THSK horizontal lifting clamps must always be used in pairs (or multiples thereof).
- Capacity 1.5 tons per pair upto 9 tons per pair.
- Opening 3 - 180, 3 - 300 and 3 - 420 mm.

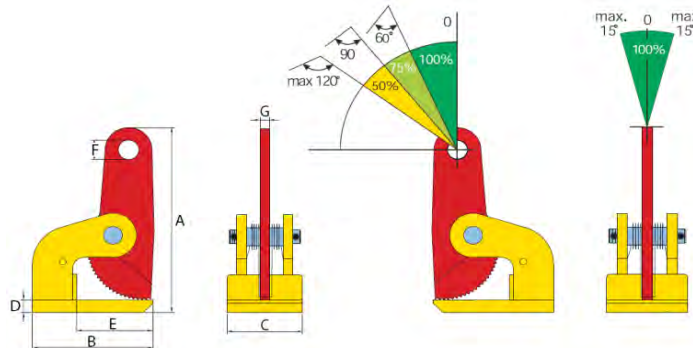


Article no.	Model	Capacity per pair	Jaw-opening	Weight per clamp (kg)
815180	1.5 THSK/180	1500 kg	3 - 180 mm	9,5
815300	1.5 THSK/300	1500 kg	3 - 300 mm	11
830180	3 THSK/180	3000 kg	3 - 180 mm	13
830300	3 THSK/300	3000 kg	3 - 300 mm	15
845180	4.5 THSK/180	4500 kg	3 - 180 mm	13
845420	4.5 THSK/420	4500 kg	3 - 420 mm	17
860180	6 THSK/180	6000 kg	3 - 180 mm	18
860420	6 THSK/420	6000 kg	3 - 420 mm	24
890180	9 THSK/180	9000 kg	3 - 180 mm	18
890420	9 THSK/420	9000 kg	3 - 420 mm	24

Horizontal Clamps - FHX-V

Pricelist : 15-1-2014

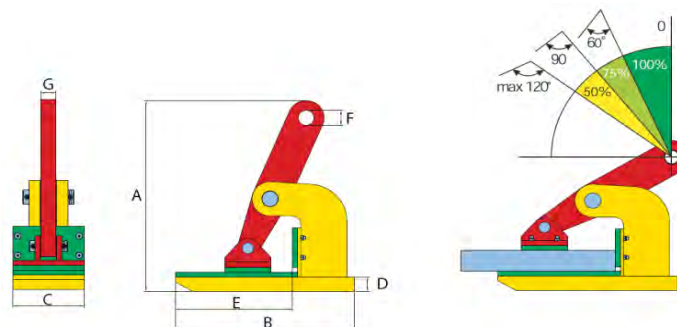
- The FHX-V Lifting clamp has a spring attached to the cam assembly. The spring makes sure that the clamp will be closed on any desired spot.
- One of the major advantages of this clamp is that only one person is able to place the clamps and to guide the hoist
- These clamps are available with a capacity from 1000 kg per pair till 6000 kg per pair.



Article no.	Model	Capacity per pair	Jaw-opening	Weight per clamp (kg)	Gross price
953101	1 FHX-V	1000 kg	0 - 35 mm	3	
953201	2 FHX-V	2000 kg	0 - 60 mm	8	
953301	3 FHX-V	3000 kg	0 - 60 mm	12,2	
953401	4 FHX-V	4000 kg	0 - 60 mm	17	
953601	6 FHX-V	6000 kg	0 - 60 mm	17	

Horizontal Clamps - TNMH

- The TNMH lifting clamp is suited for transporting and lifting objects with a fragile surface. Like stainless steel, wood panels, aluminium etc.
- The jaw and cam is covered with a high quality pressure resistant fabric.
- These clamps are available with a capacity from 1000 kg per pair till 6000 kg per pair.

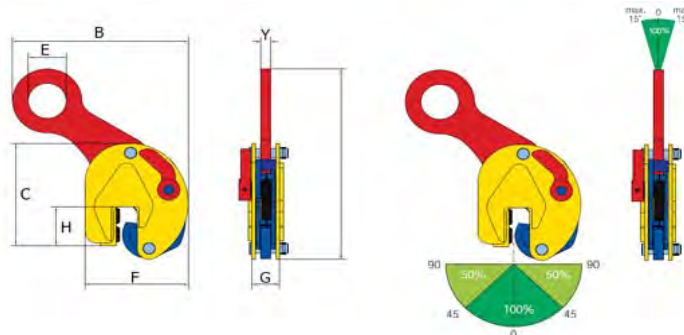


Article no.	Model	Capacity per pair	Jaw-opening	Weight per clamp (kg)	Gross price
862810	1 TNMH	1000 kg	0 - 25 mm	2,4	
862820	2 TNMH	2000 kg	0 - 45 mm	7,5	
862830	3 TNMH	3000 kg	0 - 45 mm	8,3	
862841	4 TNMH	4000 kg	0 - 50 mm	13	
862861	6 TNMH	6000 kg	0 - 50 mm	18	

Beam Clamps - FBK

Pricelist : 15-1-2014

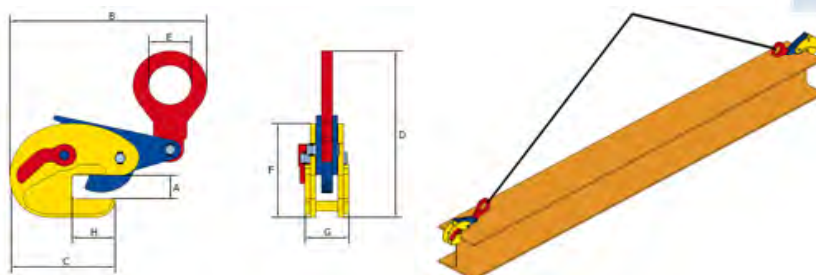
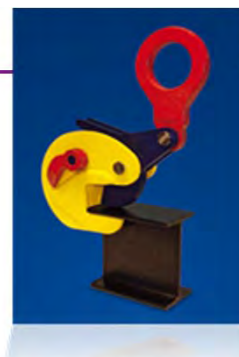
- For lifting and transportation of steel beams, profiles and structures where the load must stay in position.
- The special shape of the lifting shackle, places the centre of the gravity of the beam to be lifted directly beneath the lifting shackle.
- This maintains the equilibrium of the beam once it has been lifted and keeps the flanges of the vertical so that the beam can easily be stacked or positioned.
- Especially recommended for transportation and stacking of steelbeams (e.g. when sawing of steelbeams, stacking of steelbeams and building of steel constructions).



Article no.	Model	Capacity	Jaw-opening	Weight per clamp (kg)	Gross price per piece
851010	1 FBK	1000 kg	0 - 15 mm	3	
851000	1.5 FBK	1500 kg	0 - 20 mm	7	
851100	3 FBK	3000 kg	0 - 25 mm	15	

Beam Clamps - TOBK

- For lifting and transportation of steel beams, profiles, and structures .
- Because of the safety mechanism, the clamp is locked in closed as well as in open position.
- The clamp is suitable to lift steel beams on the flange as well as on the rear ends of the beam.
- Other capacity and jaw-opening on request.

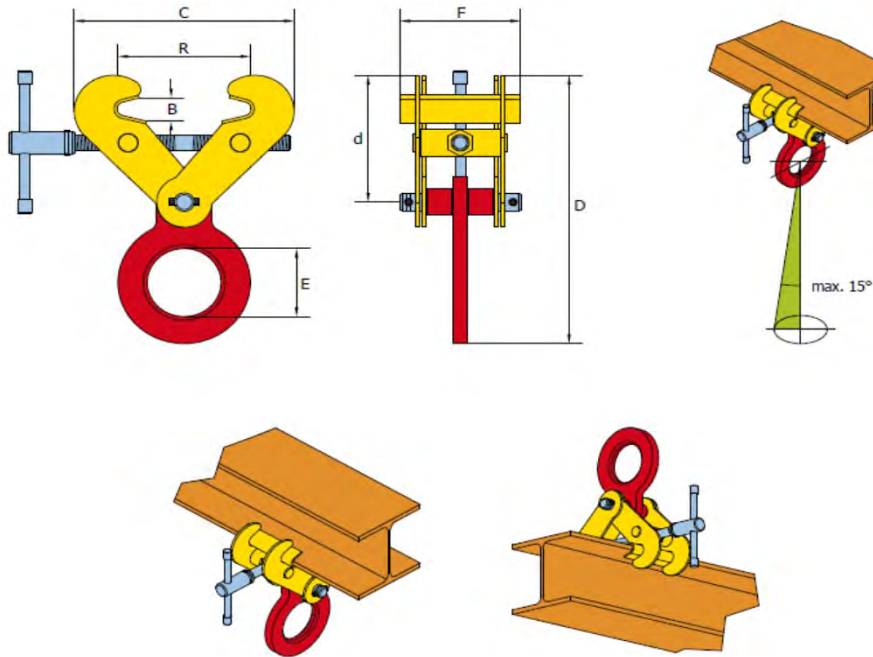


Article no.	Model	Capacity	Jaw-opening	Weight per clamp (kg)	Gross price per piece
851001	2 TOBK	2000 kg	3 - 20 mm	6,8	

Screw Clamps - FSV

Pricelist : 15-1-2014

- For horizontal lifting and transporting of steel beams and structures.
- Can also be attached upside down and be used as a (temporary) lifting point.
- Has equal opening and closing of both jaws for simple and quick assembly.
- Lifting capacity and jaw opening are clearly engraved in the body.

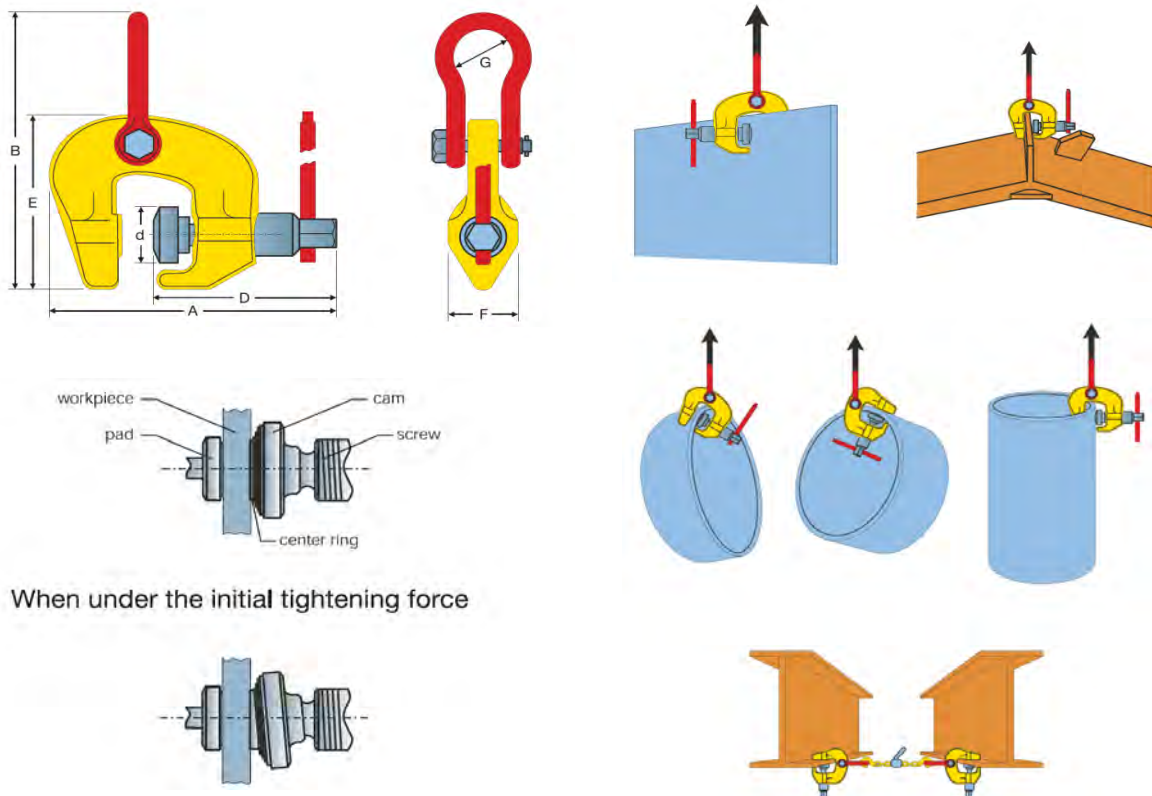


Article no.	Model	Capacity	Jaw-opening	Weight per clamp (kg)	Gross price
851400	1 FSV	1000 kg	75 - 190 mm	5	
851500	2 FSV	2000 kg	75 - 190 mm	5	
851600	3 FSV	3000 kg	75 - 190 mm	5	
851700	4 FSV	4000 kg	150 - 300 mm	15	
851800	5 FSV	5000 kg	150 - 300 mm	15	
851110	10 FSV	10000 kg	350 - 450 mm	50	
	25 FSV	25000 kg			On request
Article no.	Model	Capacity	Jaw-opening	Weight per clamp (kg)	Gross price
962000	2 FSVS	2000 kg	75 - 420 mm	7	
963000	3 FSVS	3000 kg	75 - 420 mm	7	
964000	4 FSVS	4000 kg	150 - 560 mm	18	
965000	5 FSVS	5000 kg	150 - 560 mm	19,5	
956300	3 FSVSU	3000 kg	75 - 420 mm	8	
956400	4 FSVSU	4000 kg	150 - 560 mm	21	
956500	5 FSVSU	5000 kg	150 - 560 mm	22	

Screw Clamps - TSCC

Pricelist : 15-1-2014

- Universal screw clamp for vertical and horizontal lifting and transporting of a large variety of steel structures.
- The TSCC screw clamp is fitted with a moveable cam on the thread spindle which provides a powerful clamping force on the workpiece.
- The articulated lifting eye ensures an effective clamping force in every position.



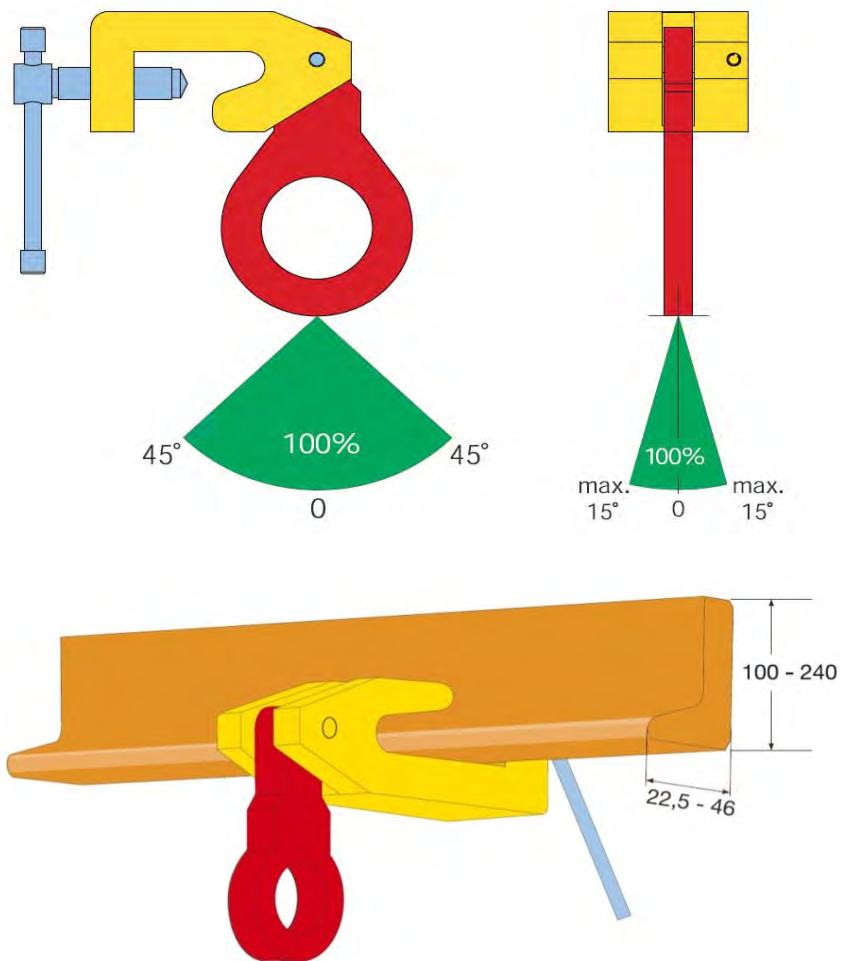
When under the initial tightening force

Article no.	Model	Capacity	Jaw-opening	Weight per clamp (kg)	Gross price per piece
900500	0.5 TSCC	500 kg	0 - 35 mm	0,96	
862710	1 TSCC	1000 kg	0 - 30 mm	3,2	
901500	1.5 TSCC	1500 kg	0 - 40 mm	3,5	
903000	3 TSCC	3000 kg	0 - 60 mm	7,8	
862760	6 TSCC	6000 kg	0 - 75 mm	18,6	
862711	1 TSCC-W	1000 kg	50 - 100 mm	6,3	
862731	3 TSCC-W	3000 kg	25 - 75 mm	8,6	

Screw Clamps - TBS

Pricelist : 15-1-2014

- For use as a temporary lifting point in any room where HP-profile is being used, such as sectional ship parts and ship engine rooms.
- The clamp is used for HP-100 to HP-240.

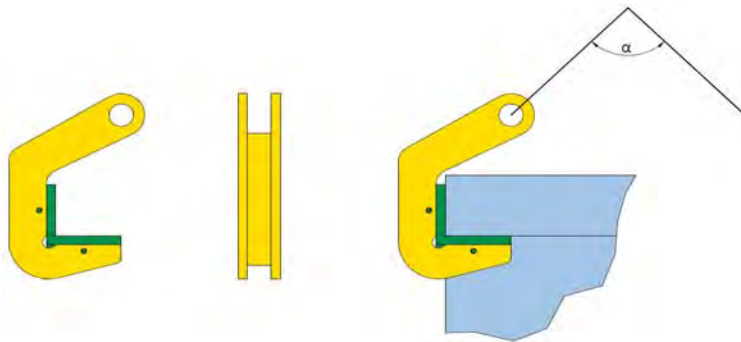


Article no.	Model	Capacity	Jaw-opening	Weight per clamp (kg)	Gross price per piece
862150	1.5 TBS	1500 kg	HP100 - 240	2,9	
862400	3 TBS	3000 kg	HP100 - 240	6	

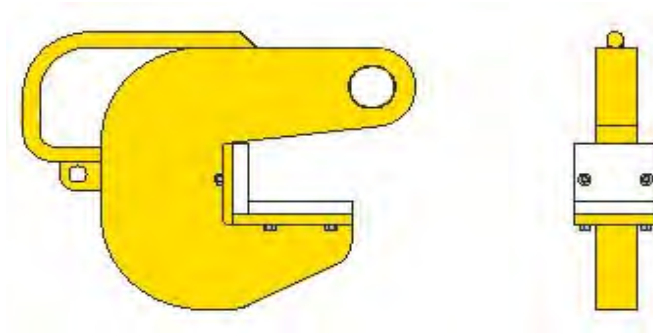
Pipe hooks - TPH

Pricelist : 15-1-2014

- For horizontal lifting and transporting of steel and concrete pipes.
- Compact shape and relatively low own weight with a high lifting capacity.
- The surface is equipped with "special" plastic.
- The Terrier TPH will be delivered per pair.
- Plastic cover is easy to change.



R	α°
< Max	0 - 60°
= Max	60 - 90°



TPH-HD

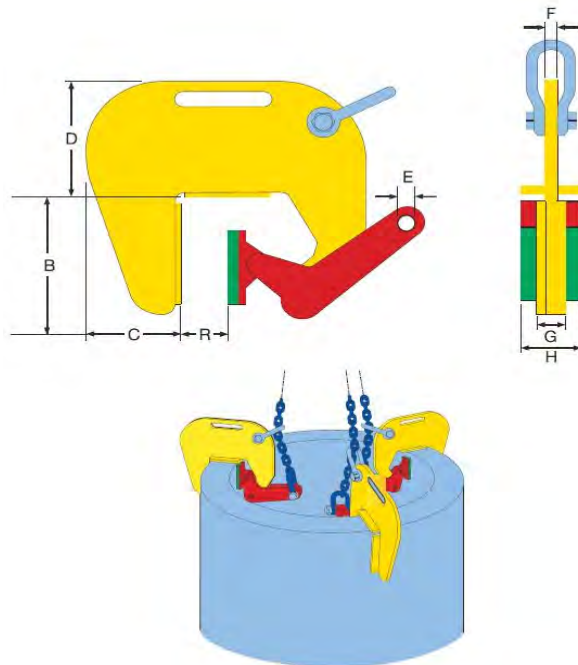
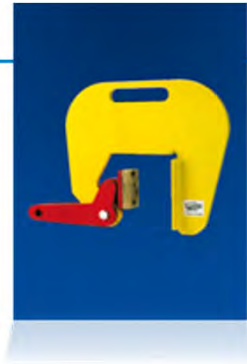
R	α
< Max	20 - 90°
= Max	90 - 120°

Article no.	Model	Capacity per pair	Jaw-opening	Weight per clamp (kg)
960150	1.5 TPH	1500 kg	40	2
960300	3 TPH	3000 kg	40	2
960400	4 TPH	4000 kg	50	3
960600	6 TPH	6000 kg	50	3
960800	8 TPH	8000 kg	70	3,4
960810	10 TPH	10000 kg	70	7
960812	12 TPH	12000 kg	70	7
960915	15 TPH	15000 kg	70	9
960920	20 TPH	20000 kg	70	9
965050	5 TPH-HD	5000 kg	60	6,7
965100	10 TPH-HD	10000 kg	60	9,7
965200	20 TPH-HD	20000 kg	60	14
965300	30 TPH-HD	30000 kg	60	19
965600	60 TPH-HD	60000 kg	60	28,5

Pipe lifting clamps- TBC

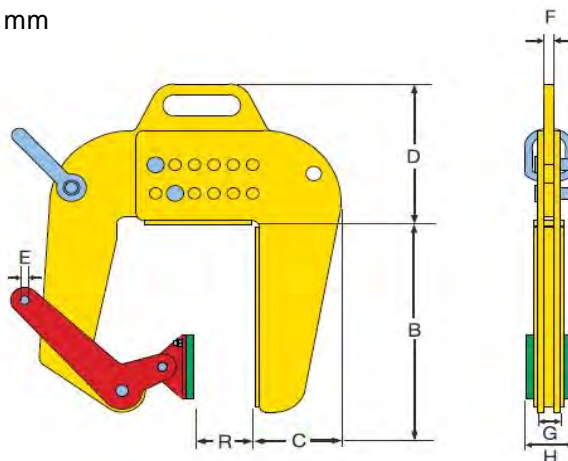
Pricelist : 15-1-2014

- For vertical lifting and transporting of concrete pipe and wells.
- The TBC clamps must always be used in pairs or per three clamps.
- Higher capacities or other jaw opening upon request.
- The moveable side is fitted with a "special" high pressure plastic surface.



TBC-A

Adjustable in steps of 25 mm

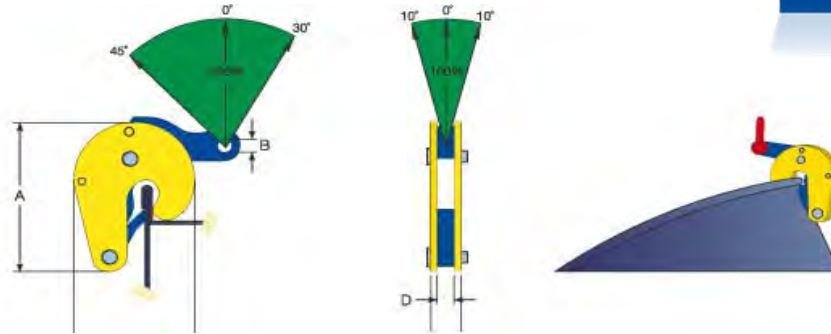


Article no.	Model	Capacity	Jaw-opening	Weight per clamp (kg)	Gross price
870101	1 TBC	1000 kg	60 - 120 mm	10	
870105	1 TBC-A	1000 kg	50 - 220 mm	15	

Drum Clamps - TVK

Pricelist : 15-1-2014

- For safe lifting and transporting of steel (oil) drums.
- With automatic locking mechanism.
- The TVK steel drum clamps are supplied with an original certificate.
- The TVK steel drum clamps can be used singly or per pair as well.

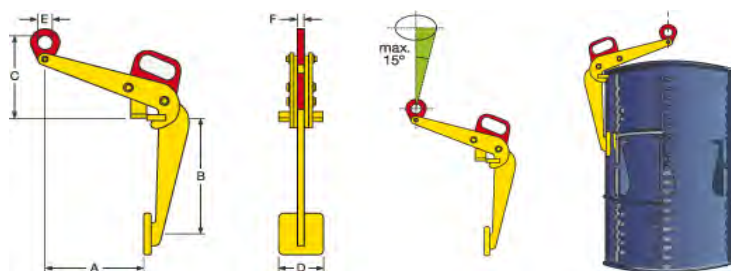
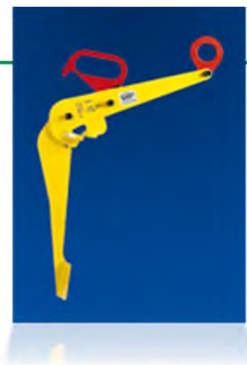


Article no.	Model	Capacity	Jaw-opening	Weight per clamp (kg)	Gross price
828000	0.5 TVK	500 kg	0 - 17 mm	1,3	

Drum Clamps - TVKH

01-02-2011

- For lifting, handling and transporting of (oil)drums, where the drums have to stay in a horizontal position.
- Capacity 600 kg.



Article no.	Model	Capacity	Jaw-opening	Weight per clamp (kg)	Gross price
828100	0.6 TVKH	600 kg		7	

- Equiped with an extra hardened pivot and cam for lifting and transporting steel plates with a hardnes of max. 50 HRC. (for Hardox 400 and 500)
- Can be delivered as TS, TSMP and TSU model.
- Please ask for special specifications.
- For dimensions and loading diagrams see page 1, page 2 and page 3.
- Other capacity and jaw-opening on request.



Article no.	Model	Capacity	Jaw-opening	Weight per clamp (kg)	Gross price
850000.5	0.75 TS-H	750 kg	0 - 13 mm	1,6	
850880.5	1 TSE-H	1000 kg	0 - 25 mm	3,6	
850901.5	2 TSE-H	2000 kg	0 - 35 mm	6,5	
850331.5	3 TSE-H	3000 kg	0 - 35 mm	6,7	
850451.5	4.5 TSE-H	4500 kg	0 - 45 mm	16	
850301.5	6 TS-H	6000 kg	0 - 32 mm	18,6	
851501.5	7.5 TSE-H	7500 kg	0 - 55 mm	24	
850010.5	0.75 TSMP-H	750 kg	0 - 13 mm	2	
850818.5	1 TSEMP-H	1000 kg	0 - 25 mm	4,5	
850911.5	2 TSEMP-H	2000 kg	0 - 35 mm	7,7	
850221.5	3 TSEMP-H	3000 kg	0 - 35 mm	8	
851401.5	4.5 TSEMP-H	4500 kg	0 - 45 mm	19,2	
850311.5	6 TSMP-H	6000 kg	0 - 32 mm	22,8	
851510.5	7.5 TSEMP-H	7500 kg	0 - 55 mm	28	
855000.5	0.75 TSU-H	750 kg	0 - 13 mm	1,7	
865800.5	1 TSEU-H	1000 kg	0 - 25 mm	4	
855601.5	2 TSEU-H	2000 kg	0 - 35 mm	7,3	
865331.5	3 TSEU-H	3000 kg	0 - 35 mm	7,5	
865301.5	4.5 TSEU-H	4500 kg	0 - 45 mm	16,7	
865401.5	6 TSU-H	6000 kg	0 - 32 mm	21	
855400.5	7.5 TSEU-H	7500 kg	0 - 55 mm	28	



Article no.	Model	Capacity per pair	Jaw-opening	Weight per hook (kg)	Gross price
-------------	-------	-------------------	-------------	----------------------	-------------

TRC

- For vertical transport of rail profiles.
- The TRC is equipped with a safety mechanism, ensuring the clamp does not slip when lifting force is applied and when load is being lowered.
- The clamp is locked in closed as well in open position.
- Other capacities or other profile dimensions on request.

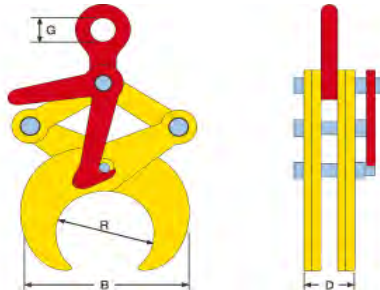
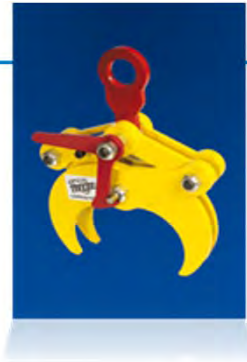


Article no.	Model	Capacity	Jaw-opening	Weight per clamp (kg)	Gross price
815000	1.5 TRC	1500 kg	40 - 75 mm	7	

Pipe grabs - TTL

Pricelist : 15-1-2014

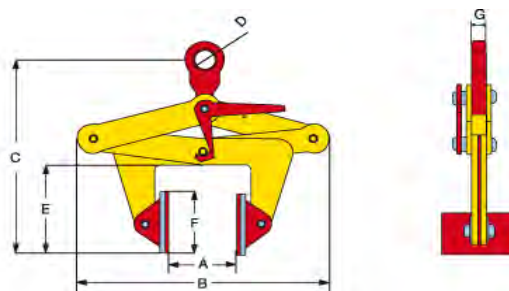
For vertical lifting of tubes, bundles of tubes and solid round material.



Article no.	Model	Capacity	Jaw-opening	Weight per clamp (kg)
800550	0.5 TTL	500 kg	48.3 - 114.3 mm	4,5
801011	1 TTL	1000 kg	114.3 - 219.1 mm	9
802021	2 TTL	2000 kg	219.1 - 368 mm	31
803036	3 TTL	3000 kg	368 - 508 mm	39

Block grabs - TBLC

- For vertical lifting and transporting without marking of products with parallel sides in various materials as steel, wood, plastic, concrete, marble etc.
- The clamp is locked in the open position. To perform lifting, the operator must activate the handle and hold it up while the force on the lifting eye is going upwards. When laying down the load, the clamp automatically locks itself open.
- The pads are covered with special plastic to avoid dammaging of the load.



Article no.	Model	Capacity	Jaw-opening	Weight per clamp (kg)
801005	0.5 TBLC	500 kg	30 - 110 mm	7
801010	1 TBLC	1000 kg	100 - 230 mm	12,3
801020	2 TBLC	2000 kg	220 - 360 mm	18
801030	3 TBLC	3000 kg	350 - 500 mm	33